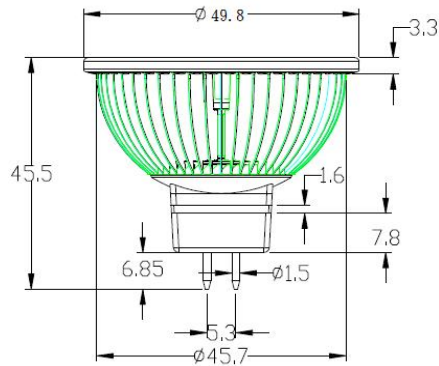


MR16 Dimmable Spot Lights



Specifications and Characteristics

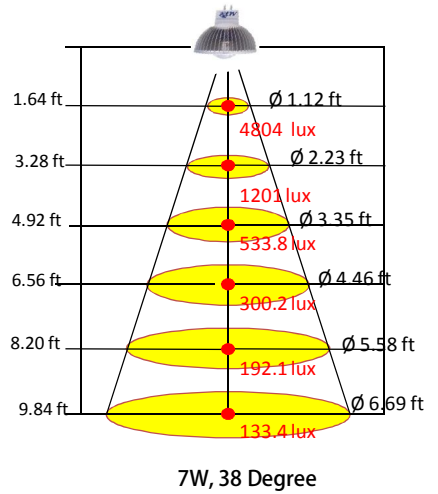
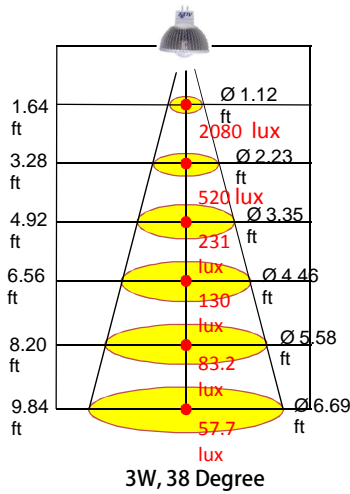
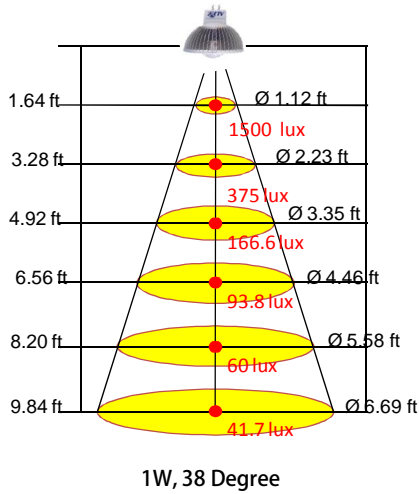
	MR16-A-1W	MR16-A-3W	MR16-A-5W	MR16-A-7W
Power Consumption	1W	3W	5W	7W
Lumens	120	200	300	500
Available Beam Angles	25°, 38°, 60°, 120°			
Dimension	Φ 50.5 mm x 45.5 mm			
Weight	0.88 ~ 1.69 oz. (25 ~ 48g)			
Available Bases	GX 5.3, GU-10, E12, E14 and E26			
Regulatory	RoHS, Laser Testing, CE, FCC, UL, IESNA: LM-79; LM-80			
Electrical				
Correlated Color Temperature (CCT)	True White 4500-10,000k; Natural White 3500-4500k; Warm White 2540-3500k			
Product Lifespan	50,000 hours			
Warranty	Five Year Exchange			
Environmental				
Temperature Range Ambient	14° F to 104° F (-10° C to 40° C)			
Humidity Range	0 to 95% non-condensing humidity			



Drawing not to scale. All dimensions are in millimeters

MR16 Dimmable Spot Lights

(typical)



**Candle Power Distribution
7W, 25 Degree**

